

TRIOVING LOCK REMOVAL INSTRUCTIONS (REPLACING SPRINGS)

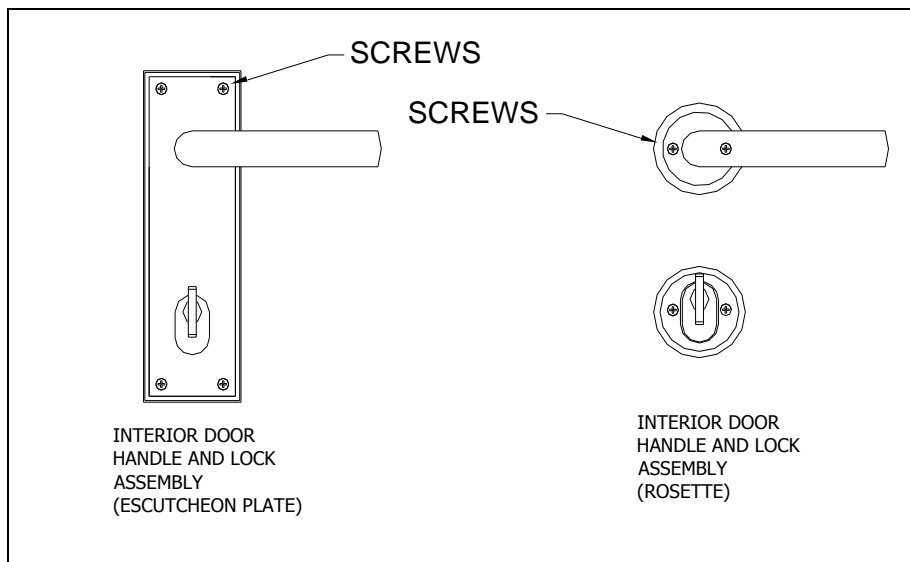
1. TOOLS

- Flat Head Screw Driver
- Alan Keys
- Torx Screw Driver

2. ESCUTCHEON PLATES

Start by removing either the Escutcheon Plate screws (if your lock is fit with an escutcheon plate) or the Rosettes screws (if your lock is fit with a rosette).

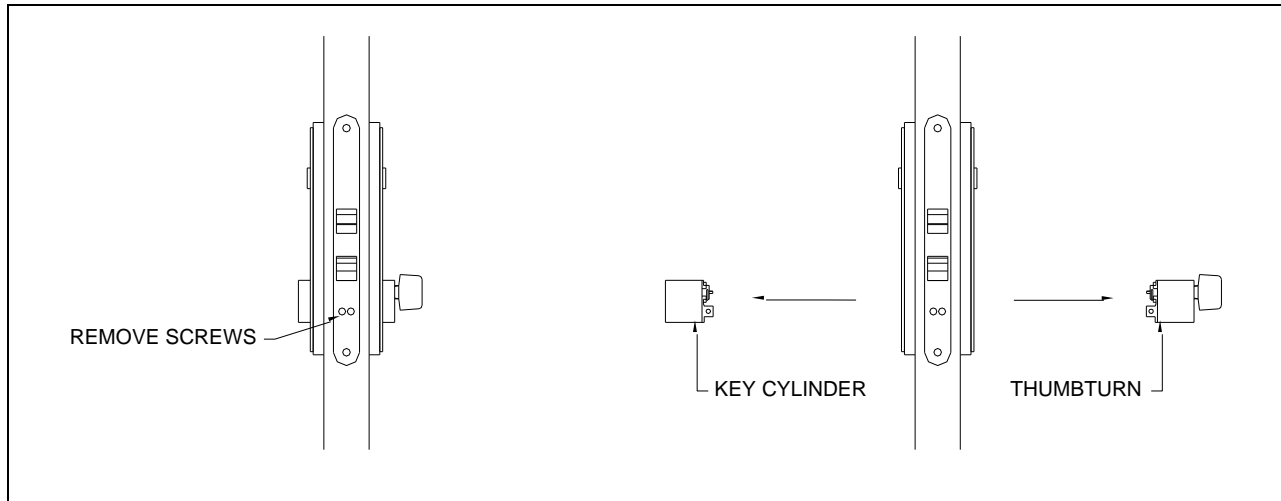
In either case, four screws will need to be removed. These screws run through the door and are fixed to blind nuts on the opposite side of the door. When the locks are assembled during production, locktite is used to prevent the screws from backing off. If you are unable to back off the screws then they may have to be drilled out and replaced with new screws when the lock is re-assembled.



3. REMOVE THUMBTURN AND KEYTURN CYLINDERS

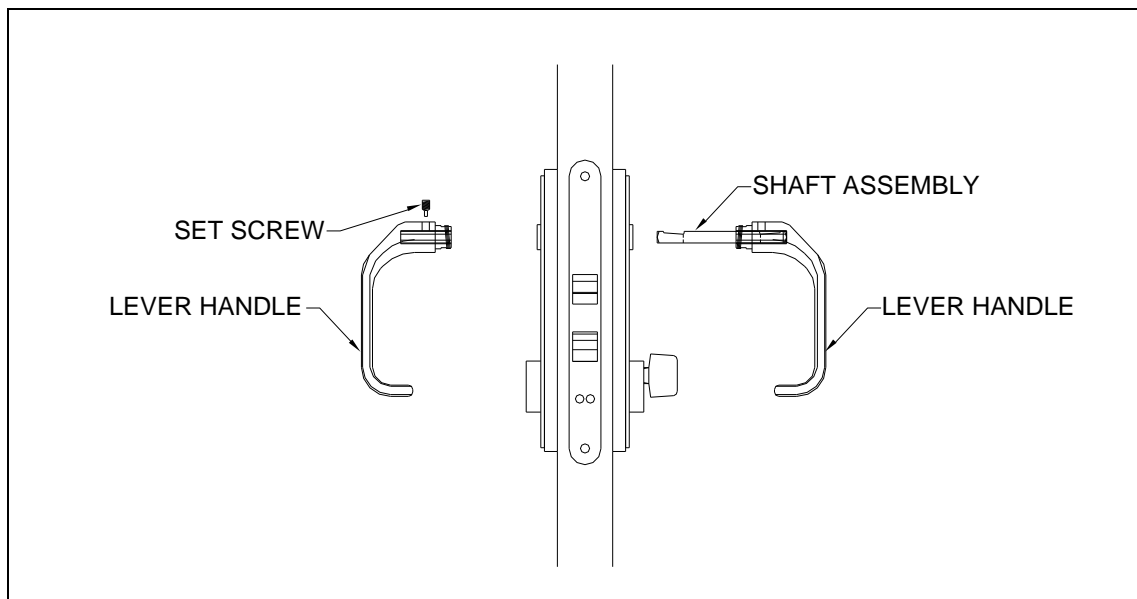
The next step is to remove the Keyturn and the Thumbturn cylinders.

Both the Keyturn and the Thumbturn are attached to the lock case by a single screw fixed through the face plate of the lock case. Remove the screws and the lock assemblies can be pulled out of the lock case.



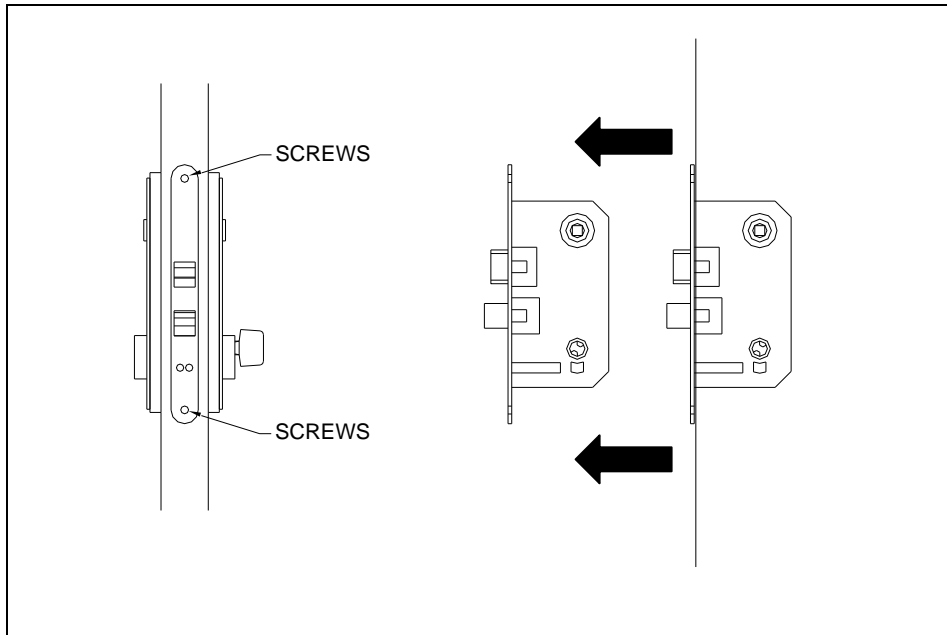
4. REMOVE HANDLES (LEVERS)

Proceed to remove one of the two lever handles. Remove the set screw on one lever handle. With one handle removed the other handle, complete with the shaft assembly, can be slid out of the door from the opposite side.



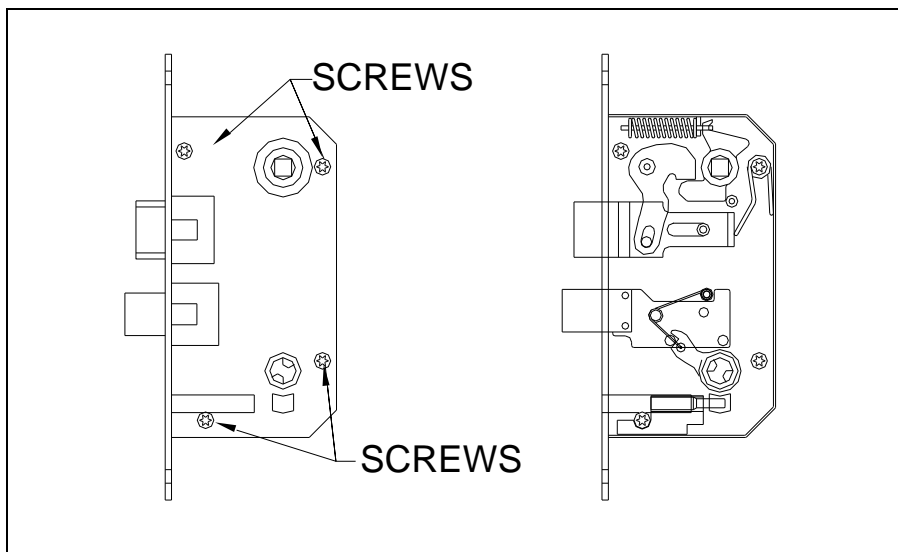
5. LOCKCASE REMOVAL

Now remove the two screws that are attaching the lockcase and slide the entire lock case out of the door.



6. OPEN LOCKCASE – INTERNAL LOCKCASE & SPRING EXPOSURE

The lock case is fixed together with four screws. By removing the four screws the top half of the lock case can be lifted free allowing access to the internal components of the lock. Replace the damaged springs as required.



7. RE-ASSEMBLE THE LOCK.

Follow the instructions in reverse to re-assemble, however, replace all relevant parts to ensure a correct functioning TrioVing lockset. See Section 8 for potential maintenance parts.

8. MAINTENANCE AND REPLACEMENT PARTS

Ensure that you review and check your TrioVing lockcase because there are several models in the 53 Series. Model numbers are easily identified by looking at the end of the lockcase when it is installed. There is no need to remove the lockset in order to determine the model number.

Although there are a few maintenance items to consider, it might be better to simply replace the entire lockcase. The AMT Store does not stock maintenance parts for all 53 Series locksets, but the 5312/8 and 5382/8 the most common locksets. See parts list.

Should your TrioVing lockset require some cosmetic improvements, there is a vast range of handles, keepers, strike plates, rosettes, escutcheon plates and much more online at www.theamtstore.com.



9. PARTS LIST

General Maintenance Items

Description	Part Number	Notes / Checked
TrioVing 5312/8		
TrioVing 5312/8, Latch Bolt Spring	HW-LS8900834	
TrioVing 5312/8, Cylinder Hub Spring	HW-LS8900829	
TrioVing 5382/8		
TrioVing 5382/8, Cylinder Hub Spring	HW-LS8402627	
TrioVing 5382/8, Pin Spring	HW-LS8901029	
TrioVing 5382/8, Spring for Upper Hook	HW-LS8900844	
TrioVing 5382/8, Spring Guide	HW-LS8900822	
TrioVing 5382/8, Latch Hook	HW-LS8900837	
TrioVing 5382/8, Pin for Lower Hook	HW-LS8900840	
TrioVing 5382/8, Hook, Lower Deadbolt	HW-LS8900843	
TrioVing 5382/8, Lower Deadbolt	HW-LS8900842	

Lockcases

Description	Part Number	Notes / Checked
5312/8, Lockcase, Left	HW-LS8403700L	
5312/8, Lockcase, Right	HW-LS8403700R	
5316/8, Lockcase, Left	HW-LS5316810	
5316/8, Lockcase, Right	HW-LS5316800	
5336/8, Lockcase, Left	Manly_5336/8-L	
5336/8, Lockcase, Right	Manly_5336/8-R	
5341 Deadbolt Lockcase	HW-LS5341840	
5382/8, Lockcase (Slider)	HW-LS/SLIDE	

TrioVing Keyed Cylinders, Keyed Alike, 32mm with 3 Keys

Key Group	Finish	Part Number	Notes / Checked
Group 2	Satin Chrome	HW-LS5520010A2	
Group 3	Satin Chrome	HW-LS5520010A3	
Group 4	Satin Chrome	HW-LS5520010A4	
Group 5	Satin Chrome	HW-LS5520010A5	
Group 6	Satin Chrome	HW-LS5520010A6	
Group 7	Satin Chrome	HW-LS5520010A7	
Group 9	Satin Chrome	HW-LS5520010A9	
Group 10	Satin Chrome	HW-LS5520010A10	
Group 15	Satin Chrome	HW-LS5520010A15	
Group 20	Satin Chrome	HW-LS5520010A20	
5520	Satin Chrome	HW-LS552036	
5520	Polished Chrome	HW-LS5520002	

TrioVing Thumbturn (Cylinder Thumbs)

Model	Finish	Part Number	Notes / Checked
5541, 24mm	Polish Chrome	HW-LS5543001	
5541, 24mm	Satin Chrome	HW-LS8402463	
5541, 32mm	Polished Brass	5543014	Custom Order
5541, 32mm	Satin Brass	5543003	Custom Order
5541, 32mm	Satin Chrome	HW-LS8402464	
5541, 32mm	Polished Chrome	5543012	