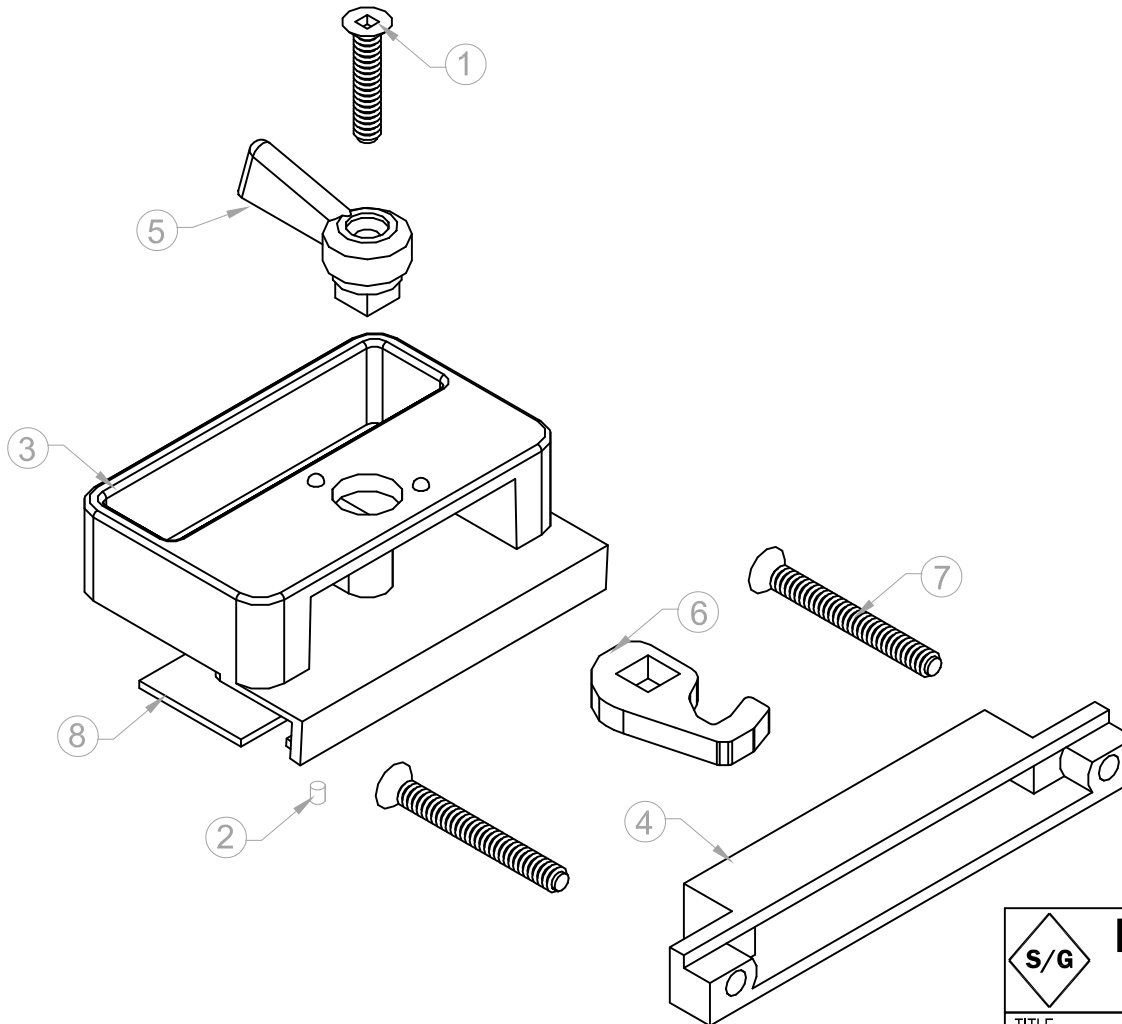


ITEM	DESCRIPTION	PART #	QTY	UOM
1	FH SOC MS 10/24 X 1	FA-FH/S3013	1	EACH
2	SET SCREW 6/32 X 1/2	FA-MI3709	1	EACH
3	LOCK HOUSING 106S	HW-LSDIA007	1	EACH
4	LOCK KEEPER 106S	HW-LSDIA007A	1	EACH
5	LATCH LEVER 106S	HW-LSDIA007B	1	EACH
6	METAL (ZINC) HOOK	HW-LSDIA009	1	EACH
7	PH SOC 8 X 3/4	FA-PH/S3129	2	EACH
8	HANDLE TAPE 1" X 36Y	AD-TA7026	3"	INCH



DIAMOND/SEA-GLAZE

PHONE: (604) 607-0091 FAX: (604) 607-0092

TITLE

106S LOCK

DRAWN 05/04/06

BY RH / RP

REVISION 2