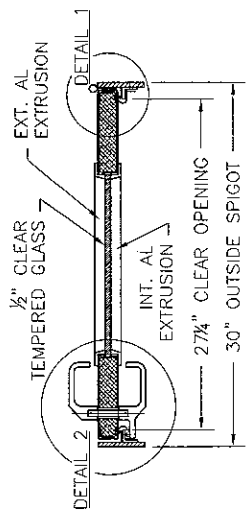
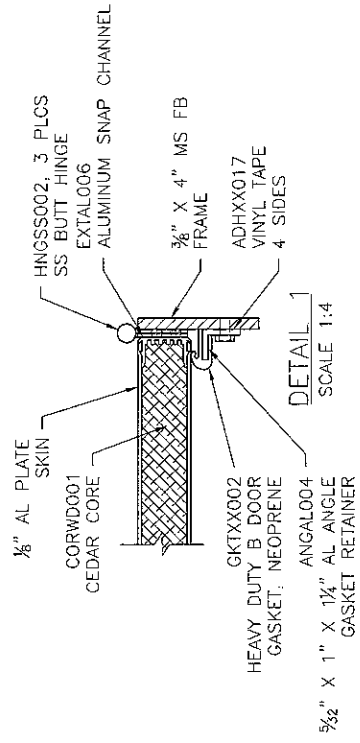


EXTERNAL VIEW  
SCALE 1:10

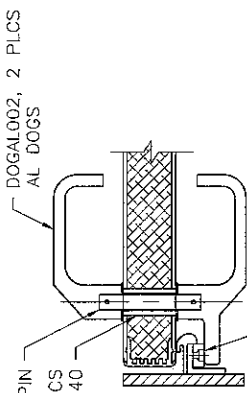
INTERNAL VIEW  
SCALE 1:10



SECTION A-A  
SCALE 1:6



DETAIL 1  
SCALE 1:4



DETAIL 2  
SCALE 1:4

- 1/8" AL PLATE SKIN
- CORWD001 CEDAR CORE
- HNGSS002, 3 PLCS SS BUTT HINGE EXTAL006
- ALUMINUM SNAP CHANNEL
- 3/8" X 4" MS FB FRAME
- ADHXX017 VINYL TAPE 4 SIDES
- GKTX002 HEAVY DUTY B DOOR GASKET, NEOPRENE
- ANGAL004 1/2" X 1" X 1 1/4" AL ANGLE GASKET RETAINER
- DOGAL002, 2 PLCS AL DOGS
- PIPPL002, 2 PLCS PVC PIPE SCH 40
- WDGXX001, 2 PLCS CAST NYLON B-DOOR WEDGE

**MANLY MARINE**  
*Innovative People. Quality Products.*

North Vancouver, B.C., Canada  
Ph. (604) 984-4635  
Fax (604) 983-2713  
Web www.manly.com

SCALE: AS NOTED  
DATE: APRIL 1, 2008  
DRAWN BY: G. LEONG  
APPROVED:

ALUMINUM WEATHERTIGHT 'B' DOOR MODEL D-020

DRAWING 1

THE CONTENT OF THESE DRAWINGS AND THE INFORMATION CONTAINED HEREIN ARE THE PROPERTY OF MANLY MARINE CLOSURES LTD. AND ARE NOT TO BE REPRODUCED OR ASSOCIATED WITH ANY OTHER PRODUCT WITHOUT THE EXPRESSED WRITTEN CONSENT OF MANLY MARINE CLOSURES LTD.