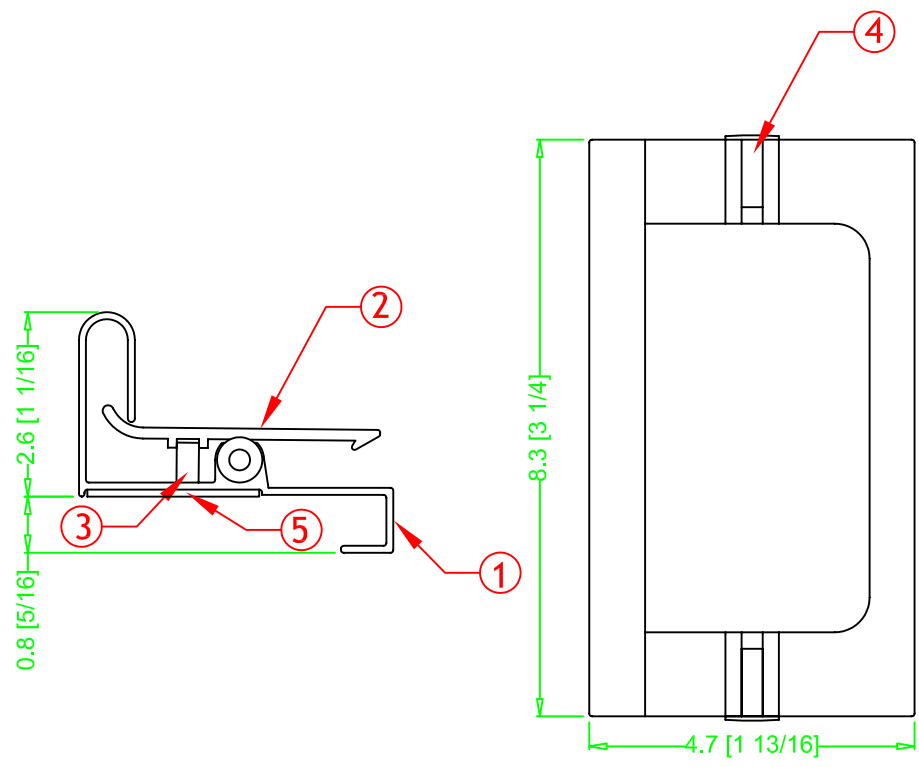


ITEM	DESCRIPTION	PART #	QTY	UOM
1	D15 LOCK BASE HIGH	MT-EX670961	3/4"	INCH
2	HANDLE BIRDIE	MT-EX780469	2 1/4"	INCH
3	STAINLESS STRIP .020 X .125	SS-DC1069	2"	INCH
4	POP RIVETS 3/32 X 1/4 S/S	FA-MI3726	2	EACH
5	HANDLE TAPE 1" X 36Y	AD-TA7026	3/4"	INCH
SOLD AS COMPLETE UNIT ONLY		PT# 8W-LS5545		



DIAMOND/SEA-GLAZE

PHONE: (604) 607-0091 FAX: (604) 607-0092

TITLE D15 HANDLE (HIGH PROFILE)
PT# 8W-LS5545