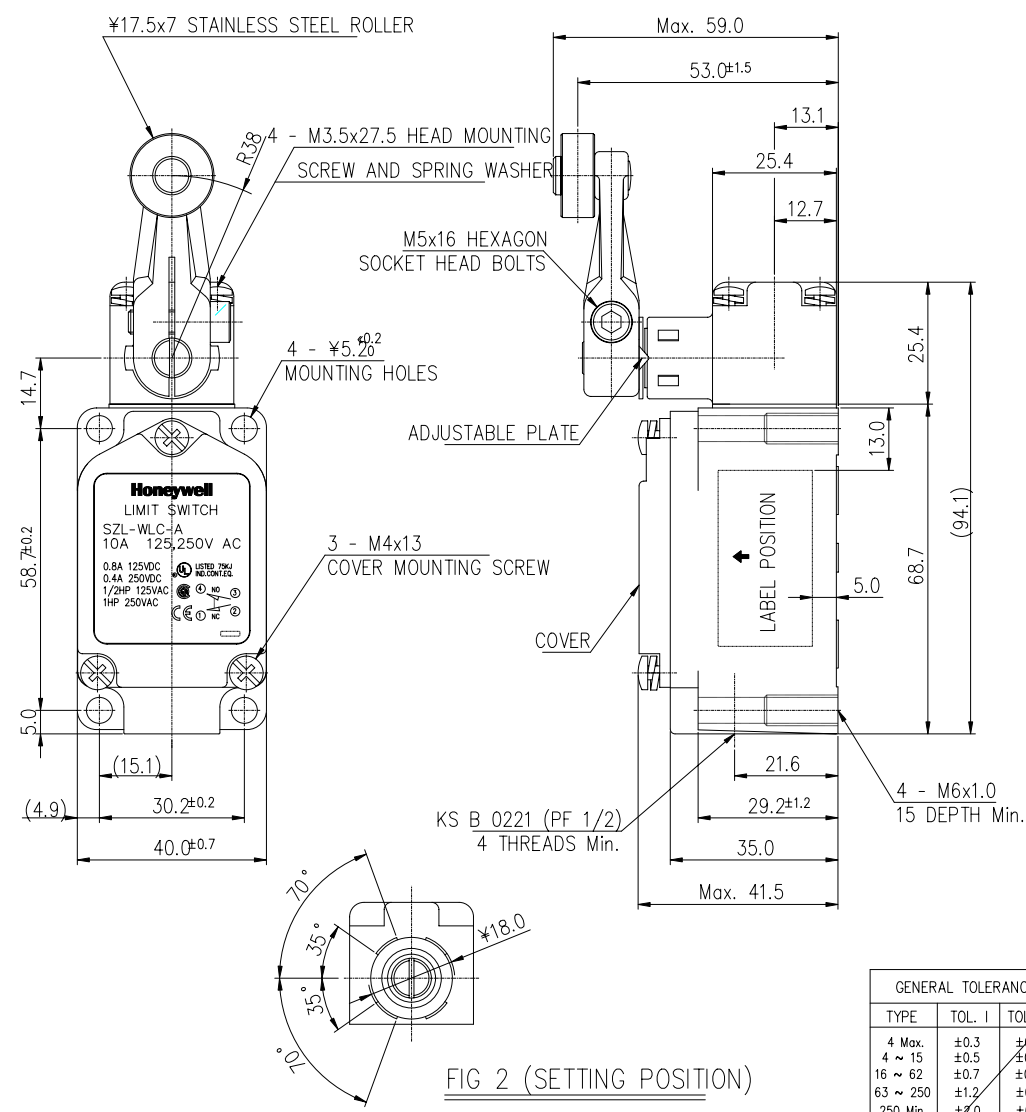


REV.NO.	REVISED	DATE	DRAWN	CHECKED	APPROVED
△	NEW DRAWING	2001.09.15	KB,LEE	JW,JEONG	JJ,RAH



1. CHARACTERISTICS

TYPE	
OPERATING FORCE	900g Max.
RELEASE FORCE	50g Min.
PRE-TRAVEL	25±5°
OVER-TRAVEL	60°Min.
DIFFERENTIAL TRAVEL	16°Max.
TOTAL TRAVEL	90°Min.

2. ELECTRICAL RATING

10A 125,250V or 480V AC
 0.8A 125V DC, 0.4A 250V DC
 0.1A 600V DC
 PILOT DUTY 600V AC MAX.

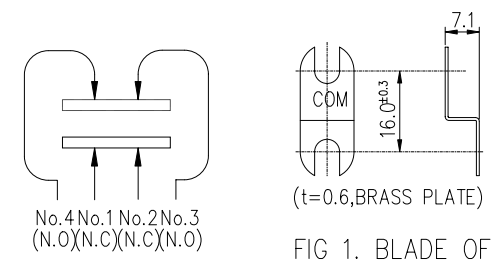


FIG 1. BLADE OF COM

Ø IN CASE OF USING FOR SPDT : CONNECT No.1 WITH No. 4 OR No.2 WITH No. 3 BY BLADE OF COM(FIG

NOTE

- UNLESS OTHERWISE SPECIFIED TOLERANCES ON DECIMALS ±0.4
- SETTING OVER TRAVEL POSITION : (FIG 2)
 FOR CONVEXITIES ON HEAD AER USED US SETTING FOR SUITABLE SET OVER CONVEXITY.

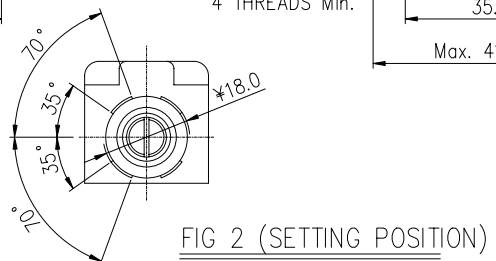


FIG 2 (SETTING POSITION)

GENERAL TOLERANCE			ITEM	PART NO.	DESCRIPTION	Q'TY	REMARKS
TYPE	TOL. I	TOL. II	APPROVED JJ,RAH	MATERIAL	-	USED ON PROJECTION WLC-A	DRAWING NO.
4 Max.	±0.3	±0.1	CHECKED JW,JEONG	FINISH	-	△	SZL-WLC-A (EX) (D)
4 ~ 15	±0.5	±0.2	DRAWN KB,LEE	TREATMENT	-	△	DESCRIPTION
16 ~ 62	±0.7	±0.3	TOLERANCE ±0.4				SHEET
63 ~ 250	±1.2	±0.3	SCALE 1/1				OUTLINE DRAWING
250 Min.	±2.0	±0.8	Honeywell				
ANGLES	±2°	±1°					