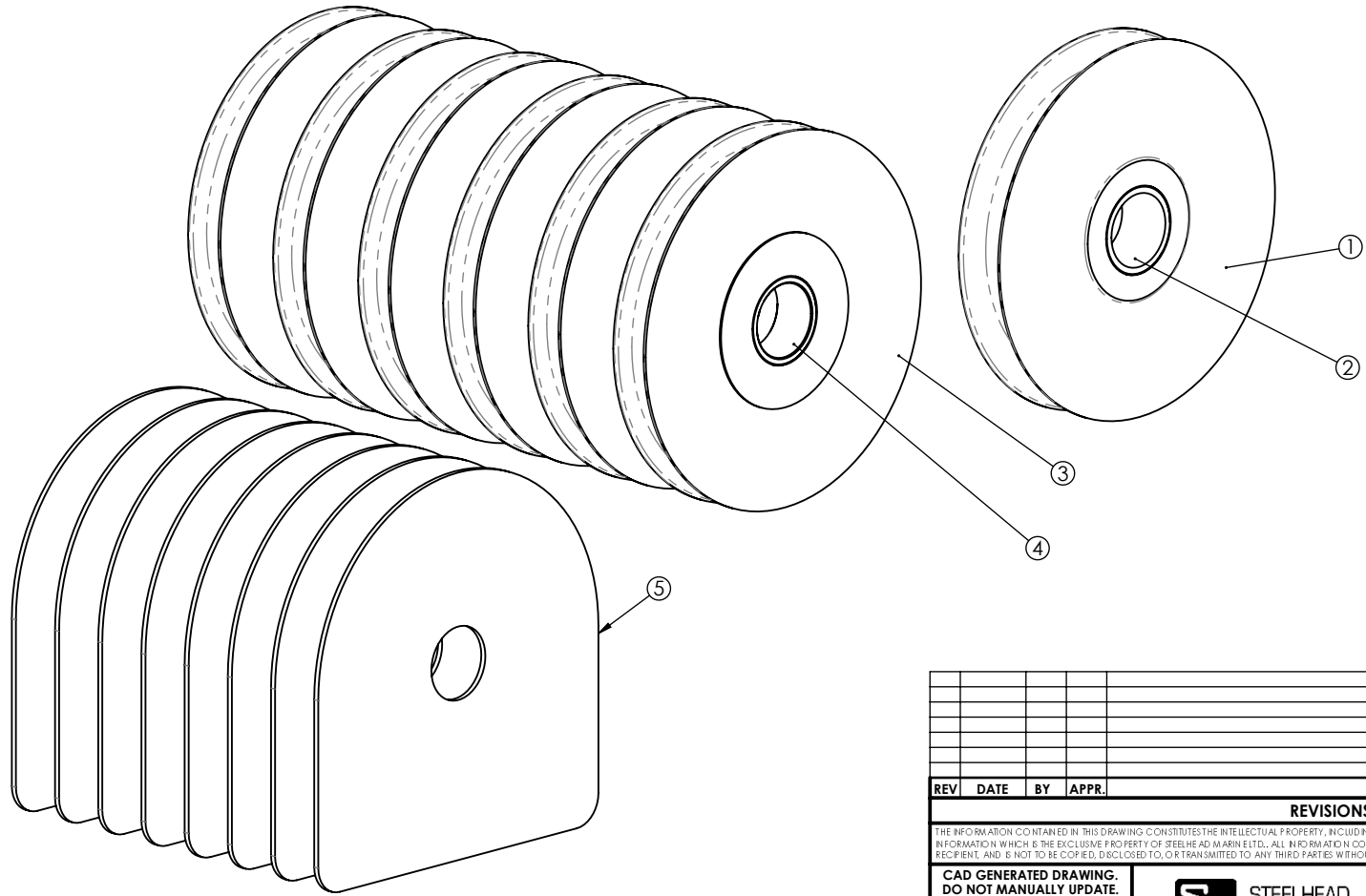


BILL OF MATERIAL


ITEM NO.	QTY.	PART NUMBER	DESCRIPTION	Material	Grade
1	1	SHAR-E0101	BOOM TIP SHEAVE	6061-T6 ALUMINUM	
2	1	SM25-E0105	BE TIP SHEAVE BUSHING	FCJ	
3	6	SM25-W0102	LW SHEAVE	6061-T6 ALUMINUM	
4	6	SM25-W0104	LW SHEAVE BUSHING		
5	8	SHAR-W0201	LW SHEAVE SPACER	TEFLON	



REV	DATE	BY	APPR.	DESCRIPTION

REVISIONS

THE INFORMATION CONTAINED IN THIS DRAWING CONSTITUTES THE INTELLECTUAL PROPERTY, INCLUDING, BUT NOT LIMITED TO, KNOWLEDGE, TRADE SECRETS, AND PROPRIETARY INFORMATION WHICH IS THE EXCLUSIVE PROPERTY OF STEELHEAD MARINE LTD., ALL INFORMATION CONTAINED IN THIS DRAWING IS TO BE HELD IN THE STRICTEST CONFIDENCE BY THE RECIPIENT, AND IS NOT TO BE COPIED, DISCLOSED TO, OR TRANSMITTED TO ANY THIRD PARTY WITHOUT THE EXPRESS WRITTEN AUTHORIZATION OF STEELHEAD MARINE LTD.

<p>CAD GENERATED DRAWING. DO NOT MANUALLY UPDATE. *** DO NOT SCALE *** UNLESS OTHERWISE SPECIFIED ALL DIMENSIONS ARE IN INCHES.</p> <p>TOLERANCES: FRACTIONS = ±1/16 0, 0.0 = ±0.030 0.00 = ±0.010 0.000 = ±0.005 ANGLES = ±1.0</p>	 <p>STEELHEAD MARINE</p>	2 - 5367 271 Street, Langley, B.C. Canada Tel: 604-826-1668 Fax: 604-826-9992 Web: www.steelheadmarine.net E-mail: sales@advancedmarinetechnologies.com	
		DRAWN: G.R. DATE: 12/16/2011	<p>REPLACEMENT KIT: SHEAVE SET - COMPLETE PROJECT: SM/CT2500/3000</p>
	CHECKED: APPROVED:	DWG. NO.: SM25-SV001	
	3rd ANGLE PROJ.	SCALE: 1:3	SHEET: 1 OF 1